



ACCESSORIES FLANGED CONNECTIONS

Flange



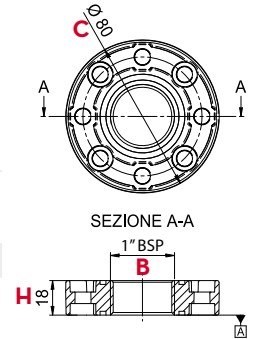
EN. Versatile for connecting different fastening bodies thanks to a special ring of shaped holes.

ES. Versátil en el conectar distintos órganos de fijación gracias a la especial corona de orificios.

PT. Versátil para coligarem-se várias peças prendedoras, graças à coroa de furos especial.

PRODUCTS' RANGE

Code	Description	Inlet/Outlet		
		B	C mm	H mm
F08832000	Flange	1" BSP	80	18



Flange Kit

EN. O-rings guarantee tightness without requiring sealants. Available with NPT threads.

ES. La junta tórica garantiza la estanqueidad sin necesidad de utilizar selladores. Disponible con rosca NPT.

PT. O anel 'O-ring' assegura a blindagem sem necessidade de produtos de vedação. Disponível com rosca NPT.



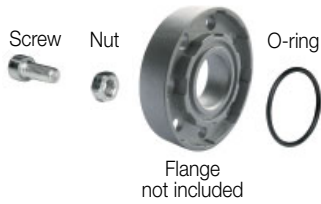
Application examples



PRODUCTS' RANGE

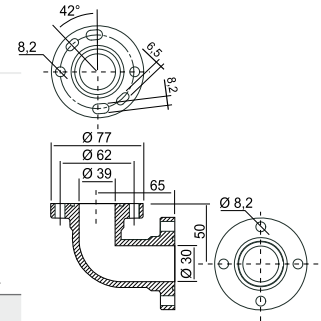
Code	Description	Flange	O-ring	Oval ring	Screw M8x20	Screw M8x30	Nut M8	Grub screw M8x50
		no.	no.	no.	no.	no.	no.	no.
R12904000	Kit Flange Oval ring	1	-	1	2	-	2	-
R09180000	Kit Flange O-ring	2	2	-	4	-	-	-
R1106200A	Kit Flange	1	1	-	2	-	-	-
R12906000	Kit Flange with nut	1	-	-	-	-	2	-
009779000	Kit Flange to connect meter	1	2	-	-	-	2	2
F08832000	Flange	1	-	-	-	-	-	-
R08985000	Oval ring	-	-	1	-	-	-	-
R08417000	O-ring	-	2	-	-	-	-	-
F08812000	Screw M8x20	-	-	1	10	-	-	-
F08043000	Screw M8x30	-	-	-	-	10	-	-

Flanged elbow



PRODUCTS' RANGE

Code	Description	O-ring no.	Screw M8x20 no.	Screw M8x30 no.	Nut M8 no.
R10824000	Flanged elbow	2	2	2	2

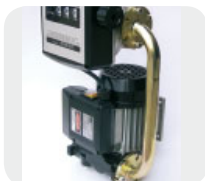


Flanged connections

PRODUCTS' RANGE

Code	Description	Dimensions	
		A mm	B mm
R12229000	Flanged tube 130	130	67
R1222800A	Flanged tube 300	300	67
R12172000	Flanged tube 341	341	67
R13251000	Flanged tube 205	205	45
R13250000	Flanged tube 90°	121	131

Application examples



Flanged tube 130
Flanged tube 300
Flanged tube 341



Flanged tube 205



Flanged tube 90°

