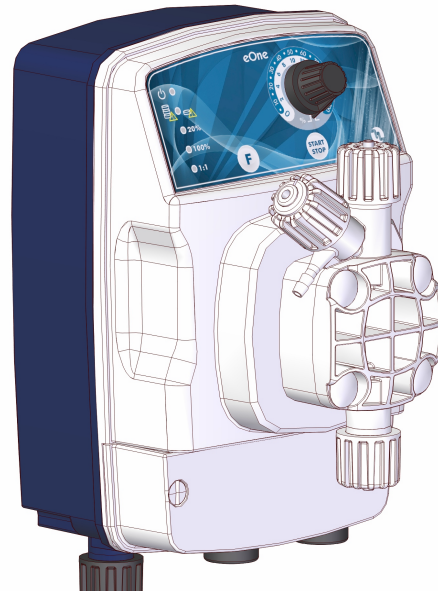


DOSING PUMP eOne series – type **BASIC**

TECHNICAL FEATURES

- *Flow rate:* from 2 to 5 l/h
- *Maximum pressure:* up to 7 bar
- *Power supply range:* 100÷250 Vac – 50/60 Hz
- *Stroke rate:* 180 impulses/min
- *Pump head:* PVDF
- *Diaphragm:* PTFE
- *Air bleed:* Manuale
- *External casing:* Reinforced PP and chemical resistant
- *Installation kit:* Included



The new range of Etatron Dosing Pumps, the eOne series, are the next generation of Chemical Dosing. Featuring high stroke rates, low energy consumption, accuracy, repeatability and flow rate variation control in relation to pressure changes.

The eOne BASIC is a **analogue electromagnetic dosing pump with constant flow** driven by a microcontroller electronic board. Manual flow rate adjustment by a knob on the frontal panel. Flow rate regulation: **0 – 20% and 0 – 100%**; Proportional mode 1:1.

The pump can receive a variable voltage range between **100 and 250 Vac 50/60Hz** without affecting performance. The standard version has the pump head made entirely of **PVDF**, polymer highly resistant, with all sealings in **TFE/P**, which is a new elastomer compatible with a wide variety of chemicals, both acidic and alkaline.

All “**eOne BASIC**” pumps are equipped with manual air bleed pump head.

The pump is supplied with an installation kit made of PVDF-TFE/P injection valve, PVDF-TFE/P foot filter, PE discharge tube, PVC suction tube, wall mounting plate with plugs and screws.

DOSING PUMP eOne series – type **BASIC**

CONFIGURATIONS

| MODELLO | | | | | | | | | | | | | | | | | | | |
|--------------|--|-----------------------|-------------------------------|-----------------------|--|--|--|------------|------|------------|----------|--|--|------------|------|------------|---------|--|--|
| PEU50 | Analogue manual dosing pump. Adjustable flow. Flow rate regulation 0-20% and 0-100%. Proportional mode 1:1. Level control setting. | | | | | | | | | | | | | | | | | | |
| | FEATURES | | | | | | | | | | | | | | | | | | |
| | <table border="1"> <thead> <tr> <th>Version</th> <th>Flow rate l/h – (US gal/h)</th> <th>Pressure Bar (PSI)</th> <th></th> <th></th> <th></th> </tr> </thead> <tbody> <tr> <td>387</td> <td>0210</td> <td>2.0 (0.52)</td> <td>10 (145)</td> <td></td> <td></td> </tr> <tr> <td>388</td> <td>0507</td> <td>5.0 (0.81)</td> <td>7 (101)</td> <td></td> <td></td> </tr> </tbody> </table> | Version | Flow rate l/h – (US gal/h) | Pressure Bar (PSI) | | | | 387 | 0210 | 2.0 (0.52) | 10 (145) | | | 388 | 0507 | 5.0 (0.81) | 7 (101) | | |
| Version | Flow rate l/h – (US gal/h) | Pressure Bar (PSI) | | | | | | | | | | | | | | | | | |
| 387 | 0210 | 2.0 (0.52) | 10 (145) | | | | | | | | | | | | | | | | |
| 388 | 0507 | 5.0 (0.81) | 7 (101) | | | | | | | | | | | | | | | | |
| | OPTIONS | | | | | | | | | | | | | | | | | | |
| | 4I PVDF pump head and installation kit, TFE/P sealings | | | | | | | | | | | | | | | | | | |
| PEU50 | 388 4I EONE BASIC 0507 100/250V PVDF-TFE/P pump head | | | | | | | | | | | | | | | | | | |

INSTALLATION KIT

- PVDF Injection Valve
- PVDF Foot Filter
- PE tube (2m)
- PVC CRYSTAL tube (4m)
- wall mounting plate
- 4 plugs and screws
- Instruction manual

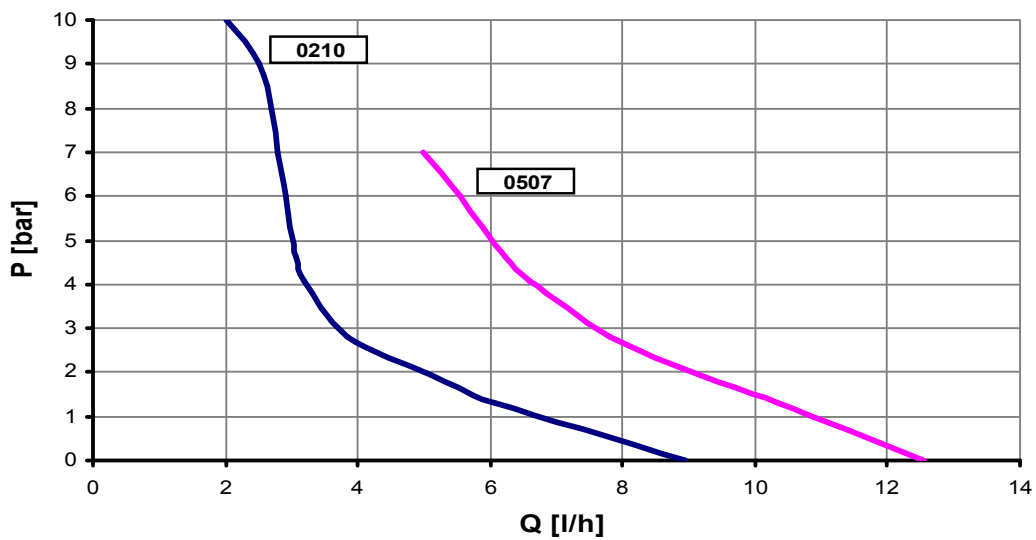
INPUTS

- Level probe
- 1:1 watermeter signal

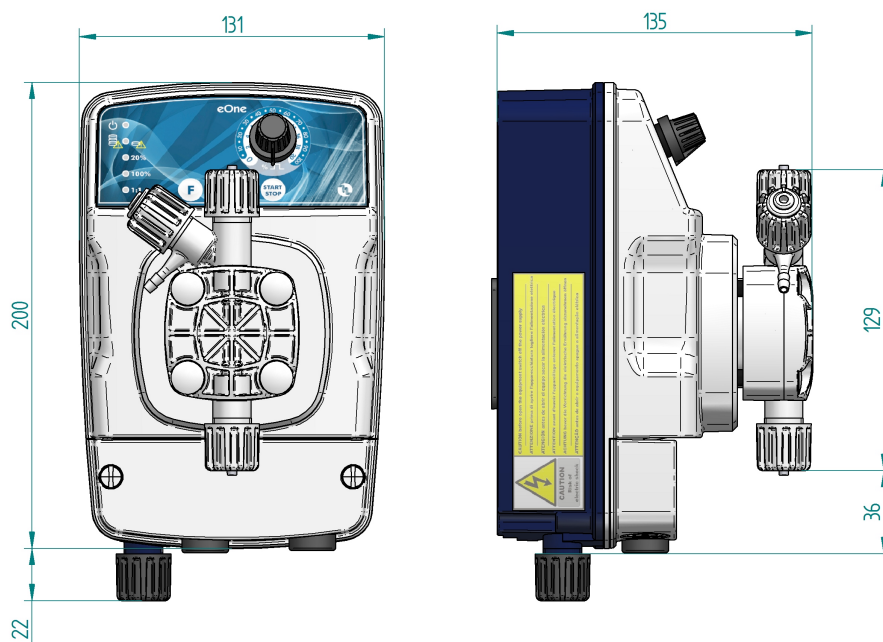
DOSING PUMP eOne series – type BASIC

PUMP TECHNICAL DETAILS

| Model | Flow rate l/h - (US gal/h) | Pressure bar – (psi) | Injection volume [cc] | Max frequency [imp/1'] | Connections [mm] | Power supply | Power Consumption [W] |
|-------------|-------------------------------|-------------------------|-----------------------------|------------------------------|---------------------|-----------------------------|-----------------------------|
| 0210 | 2 (1,351) | 10 (145) | 0,18 | 180 | 4 / 6 | 100 ÷ 250 Vac 50 – 60 Hz | 32 |
| | 2,9 (0,765) | 6 (87) | 0,27 | | | | |
| | 6,1 (1,605) | 1 (19) | 0,56 | | | | |
| 0507 | 5,0 (1.320) | 7 (101) | 0,46 | 180 | 4 / 6 | 100 ÷ 250 Vac 50 – 60 Hz | 32 |
| | 6,2 (1,647) | 5 (67) | 0,58 | | | | |
| | 10,4 (2,732) | 1 (19) | 0,95 | | | | |



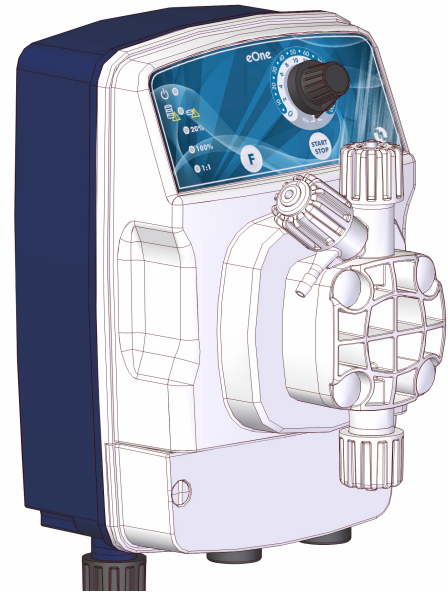
DIMENSIONS



DOSING PUMP eOne series – type MA

TECHNICAL FEATURES

- *Flow rate:* from 1 to 30 l/h
- *Maximum pressure:* up to 20 bar
- *Power supply range:* 100÷250 Vac – 50/60 Hz
- *Stroke rate:* from 180 to 300 impulses/min
- *Pump Head:* PVDF
- *Diaphragm:* PTFE
- *Air bleed:* Manual
- *External casing:* Reinforced PP and chemical resistant
- *Installation kit:* Included



The new range of Etatron DS Dosing Pumps, the **eOne series**, represents an important step forward. Featuring high stroke rates, low energy consumption, accuracy, repeatability and flow rate variation control in relation to pressure changes.

The eOne MA is an **analogue electromagnetic dosing pump with constant flow** driven by a microcontroller electronic board. Manual flow rate adjustment by a knob on the frontal panel. Flow rate regulation: **0 – 20% and 0 – 100%**. Proportional mode 1:1

The pump can receive a variable voltage range between **100 and 250 Vac 50/60Hz** without affecting performance. The standard version has the pump head made entirely of **PVDF**, polymer highly resistant, with all sealings in **TFE/P**, which is a new elastomer compatible with a wide variety of chemicals, both acidic and alkaline.

All “**eOne**” pumps are equipped with manual air bleed pump head, except for the models 2007 and 3005.

The pump is supplied with an installation kit made of PVDF-TFE/P injection valve, PVDF-TFE/P foot filter, PE discharge tube, PVC suction tube, wall mounting plate with plugs and screws.

DOSING PUMP eOne series – type MA

CONFIGURATIONS

| MODELS | | | |
|--------------|--|-------------------------------|--|
| PEU45 | Analogue manual dosing pump. Adjustable flow. Flow rate regulation 0-20% and 0-100%. Proportional mode 1:1. Level control setting. UNDERLOAD – suction alarm, OVERLOAD – discharge alarm | | |
| | FEATURES | | |
| | Version | Flow rate l/h – (US gal/h) | Pressure Bar (PSI) |
| 389 | 0110 | 1.0 (0.26) | 10 (145) |
| 391 | 0216 | 2.0 (0.52) | 16 (232) |
| 392 | 0420 | 4.0 (1.04) | 20 (290) |
| 393 | 0607 | 6.0 (1.58) | 7 (101) |
| 394 | 0710 | 7.0 (1.86) | 10 (145) |
| 395 | 1012 | 10.0 (2.64) | 12 (174) |
| 396 | 1505 | 15.0 (3.96) | 5 (72) |
| 397 | 2007 | 20.0 (5.28) | 7 (101) |
| 386 | 3005 | 30.0 (7.91) | 5 (72) |
| | OPTIONS | | |
| 4I | PVDF pump head and installation kit, TFE/P sealings | | |
| PEU45 | 394 | 4I | EONE MA 0710 100/250V PVDF-TFE/P pump head |

INSTALLATION KIT

- PVDF Injection Valve
- PVDF Foot Filter
- PE tube (2m)
- PVC CRYSTAL tube (4m)
- wall mounting plate
- 4 plugs and screws
- Instruction manual

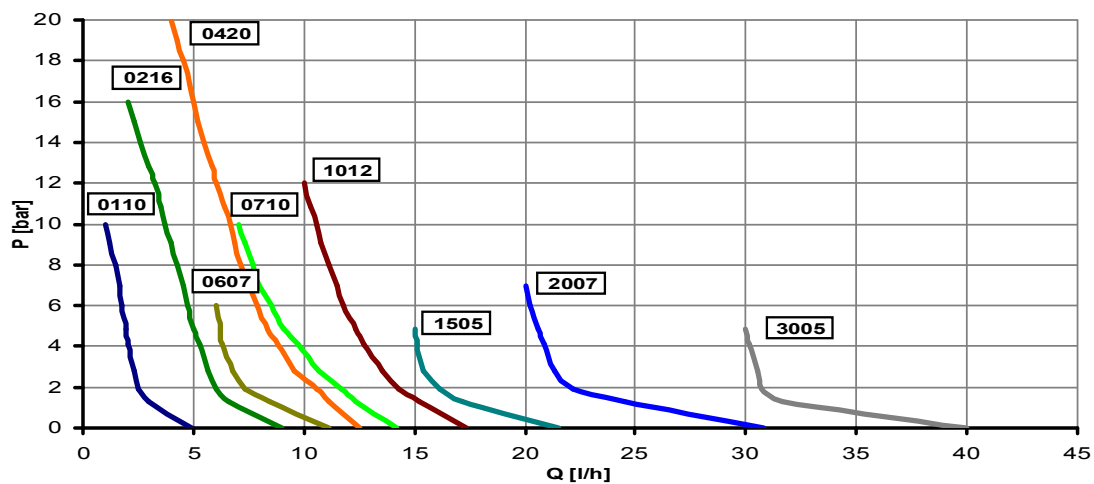
INPUTS

- Level probe
- 1:1 watermeter signal

DOSING PUMP eOne series – type MA

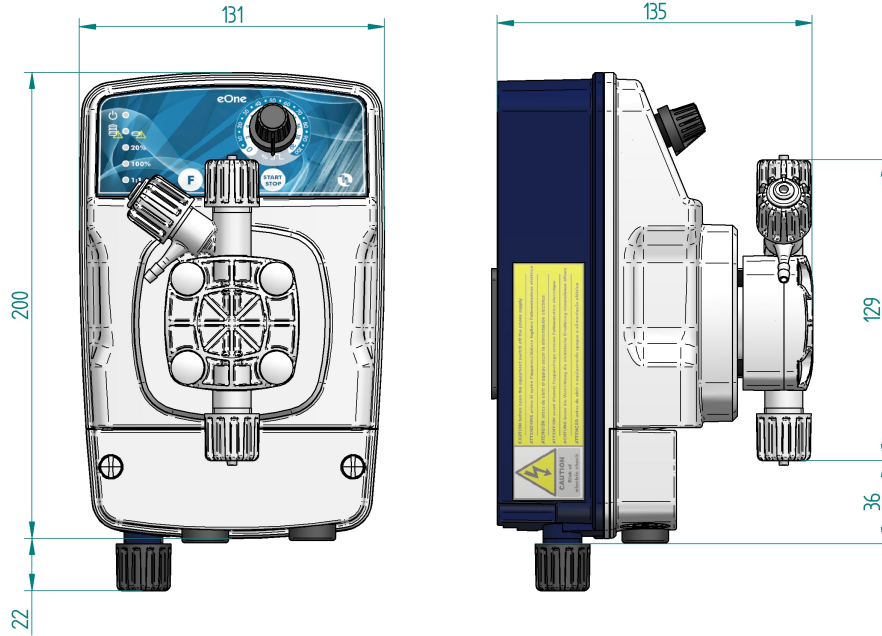
PUMP TECHNICAL DETAILS

| Model | Flow rate l/h - (US gal/h) | Pressure bar – (psi) | Injection volume [cc] | Max frequency [imp/min] | Connections [mm] | Power supply | Power Consumption Min / Max [W] |
|-------------|-------------------------------|-------------------------|-----------------------------|-------------------------------|---------------------|-----------------------------|--|
| 0110 | 1.0 (0.264) | 10 (145) | 0.09 | 180 | 4 / 6 | 100 ÷ 250 Vac 50 – 60 Hz | 5 / 23 |
| | 1.8 (0.475) | 6 (87) | 0.16 | | | | |
| | 2.5 (0.660) | 2 (29) | 0.23 | | | | |
| 0216 | 2.0 (0.528) | 16 (232) | 0.11 | 300 | 4 / 6 | 100 ÷ 250 Vac 50 – 60 Hz | 7 / 26 |
| | 3.8 (1.008) | 10 (145) | 0.21 | | | | |
| | 5.1 (1.354) | 6 (73) | 0.29 | | | | |
| 0607 | 6.0 (1.584) | 7 (102) | 0.33 | 300 | 4 / 6 | 100 ÷ 250 Vac 50 – 60 Hz | 5 / 23 |
| | 6.3 (1.674) | 4 (58) | 0.35 | | | | |
| | 7.3 (1.930) | 2 (29) | 0.41 | | | | |
| 0420 | 4.0 (1.056) | 20 (290) | 0.22 | 300 | 4 / 6 | 100 ÷ 250 Vac 50 – 60 Hz | 10 / 32 |
| | 6.0 (1.584) | 12 (174) | 0.33 | | | | |
| | 7.3 (1.930) | 8 (116) | 0.40 | | | | |
| 0710 | 7.0 (1.859) | 10 (145) | 0.39 | 300 | 4 / 6 | 100 ÷ 250 Vac 50 – 60 Hz | 7 / 26 |
| | 8.5 (2.244) | 6 (87) | 0.47 | | | | |
| | 11.7 (3.081) | 2 (29) | 0.65 | | | | |
| 1012 | 10.0 (2.640) | 12 (174) | 0.56 | 300 | 4 / 6 | 100 ÷ 250 Vac 50 – 60 Hz | 10 / 32 |
| | 11.8 (3.113) | 6 (87) | 0.66 | | | | |
| | 14.3 (3.765) | 2 (29) | 0.79 | | | | |
| 1505 | 15.0 (3.960) | 5 (73) | 0.83 | 300 | 4 / 6 | 100 ÷ 250 Vac 50 – 60 Hz | 7 / 26 |
| | 15.4 (4.068) | 3 (44) | 0.86 | | | | |
| | 17.2 (4.541) | 1 (15) | 0.96 | | | | |
| 2007 | 20.0 (5.280) | 7 (102) | 1.11 | 300 | 6 / 8 | 100 ÷ 250 Vac 50 – 60 Hz | 10 / 35 |
| | 21.3 (5.623) | 3 (44) | 1.18 | | | | |
| | 28.2 (7.445) | 0.5 (7) | 1.57 | | | | |
| 3005 | 30.0 (7.910) | 5 (72) | 1.66 | 300 | 6 / 8 | 100 ÷ 250 Vac 50 – 60 Hz | 10 / 35 |
| | 30.8 (8.118) | 2 (44) | 1.71 | | | | |
| | 36.5 (9.636) | 0.5 (7) | 2.03 | | | | |

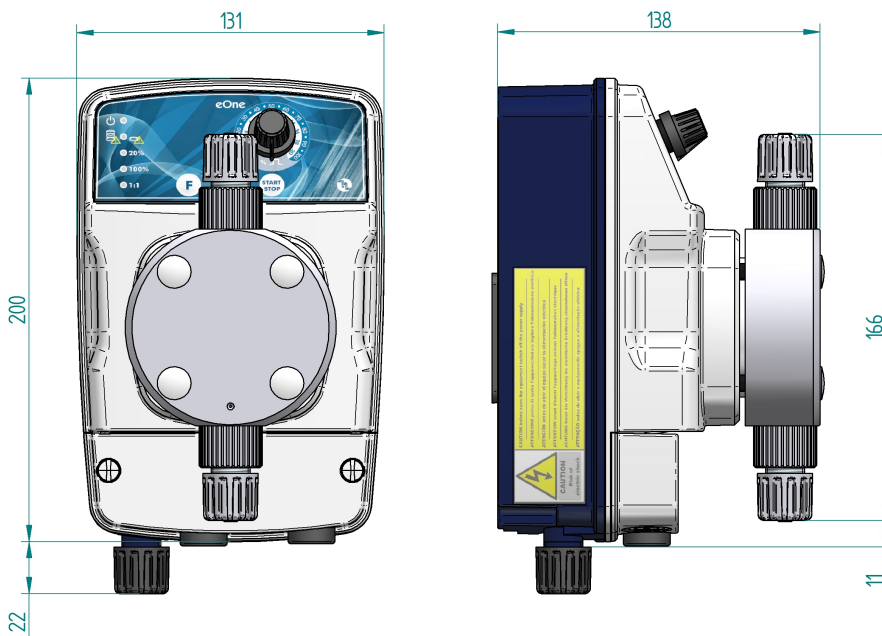


DOSING PUMP eOne series – type MA

DIMENSIONS



Models: 0110, 0216, 0420, 0607, 0710, 1012, 1505

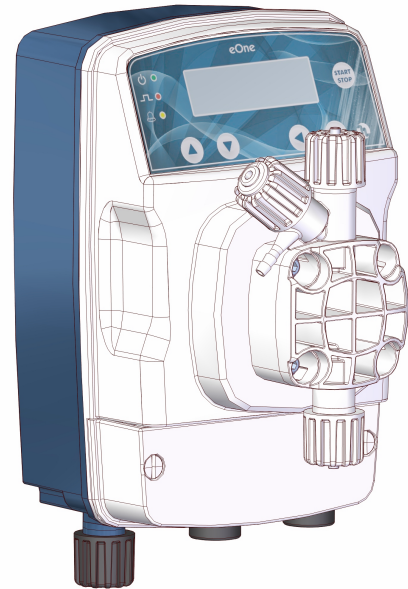


Models: 2007 and 3005

DOSING PUMP eOne series – type MF

TECHNICAL FEATURES

- *Flow rate:* from 1 to 30 l/h
- *Maximum pressure:* up to 20 bar
- *Power supply range:* 100÷250 Vac – 50/60 Hz
- *Stroke rate:* from 180 to 300 impulses/min
- *Pump Head:* PVDF
- *Diaphragm:* PTFE
- *Air bleed:* Manual
- *External casing:* Reinforced PP and chemical resistant
- *Installation kit:* Included



The new range of Etatron DS Dosing Pumps, the **eOne series**, represents an important step forward. Featuring high stroke rates, low energy consumption, accuracy, repeatability and flow rate variation control in relation to pressure changes.

The eOne MF is a **multifunction digital electromagnetic dosing pump** with user-configurable menu, flow calibration procedure, proportional modes 1xN, 1xN(m), 1/N, PPM, ml x impulses, ml x mc, mA and Alarm relay output.

The pump can receive a variable voltage range between **100 and 250 Vac 50/60Hz** without affecting performance. The standard version has the pump head made entirely of **PVDF**, a highly resistant polymer, with seals in **TFE/P**, which is a new elastomer compatible with a wide variety of chemicals, both acidic and alkaline.

All “**eOne**” pumps are equipped with manual air bleed pump head, except for the models 2007 and 3005.

The pump is supplied with an installation kit made of PVDF-TFE/P injection valve, PVDF-TFE/P foot filter, PE discharge tube, PVC suction tube, wall mounting plate with plugs and screws.

DOSING PUMP eOne series – type MF

CONFIGURATIONS

| MODEL | | | | | | |
|--------------|--|-------------------------------|--|----------|--|--|
| PEU47 | Multifunction digital dosing pump. Proportional modes. Daily and weekly timer. Configurable alarm relay. Level control setting. UNDERLOAD – suction alarm, OVERLOAD – discharge alarm. Flow's calibration. | | | | | |
| | FEATURES | | | | | |
| | Version | Flow rate l/h – (US gal/h) | Pressure Bar (PSI) | | | |
| | 389 | 0110 | 1.0 (0.26) | 10 (145) | | |
| | 391 | 0216 | 2.0 (0.52) | 16 (232) | | |
| | 392 | 0420 | 4.0 (1.04) | 20 (290) | | |
| | 393 | 0607 | 6.0 (1.58) | 7 (101) | | |
| | 394 | 0710 | 7.0 (1.86) | 10 (145) | | |
| | 395 | 1012 | 10.0 (2.64) | 12 (174) | | |
| | 396 | 1505 | 15.0 (3.96) | 5 (72) | | |
| 397 | 2007 | 20.0 (5.28) | 7 (101) | | | |
| 386 | 3005 | 30.0 (7.91) | 5 (72) | | | |
| OPTIONS | | | | | | |
| 4I | PVDF pump head and installation kit, TFE/P sealings | | | | | |
| PEU47 | 394 | 4I | EONE MF 0710 100/250V PVDF-TFE/P pump head | | | |

INSTALLATION KIT

- PVDF Injection Valve
- PVDF Foot Filter
- PE tube (2m)
- PVC CRYSTAL tube (4m)
- wall mounting plate
- 4 plugs and screws
- Instruction manual

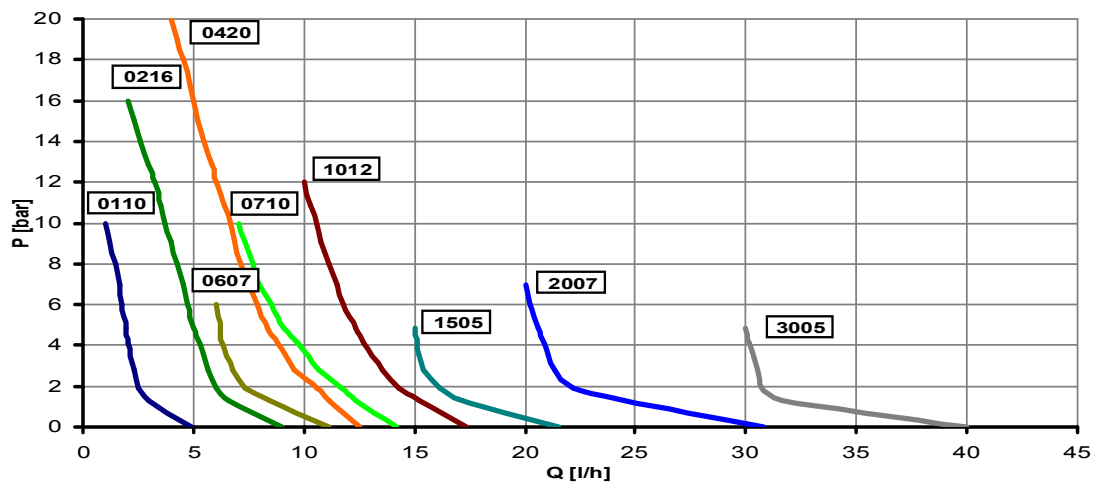
INPUTS / OUTPUTS

- 4-20mA input
- Watermeter input
- Level probe input
- Flow sensor input (reed contact)
- Alarm relay output (configurable NO-NC)

DOSING PUMP eOne series – type MF

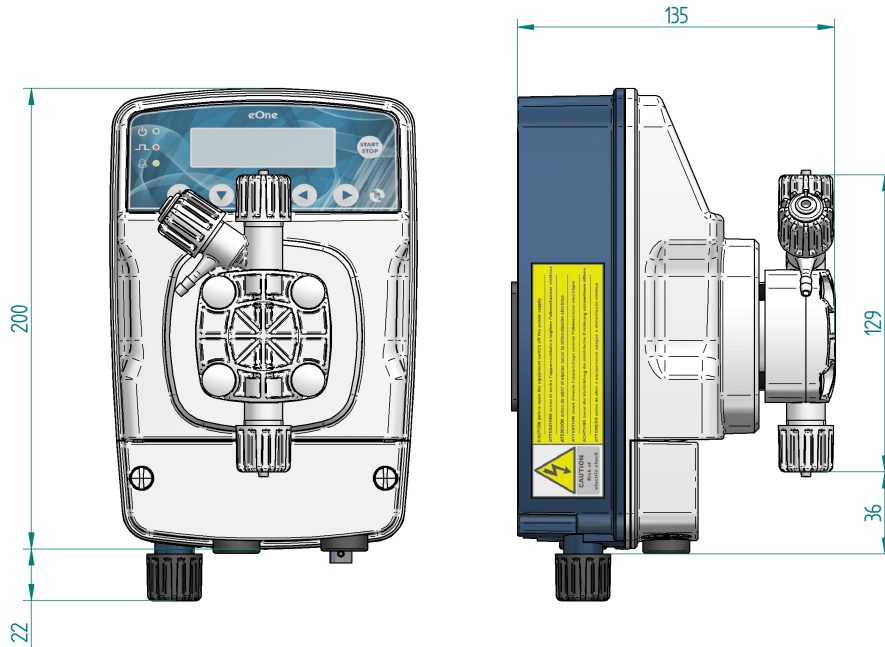
PUMP TECHNICAL DETAILS

| Model | Flow rate l/h - (US gal/h) | Pressure bar – (psi) | Injection volume [cc] | Max frequency [imp/min] | Connections [mm] | Power supply | Power Consumption Min / Max [W] |
|-------------|-------------------------------|-------------------------|-----------------------------|-------------------------------|---------------------|-----------------------------|--|
| 0110 | 1,0 (0,264) | 10 (145) | 0,09 | 180 | 4 / 6 | 100 ÷ 250 Vac 50 – 60 Hz | 5 / 23 |
| | 1,8 (0,475) | 6 (87) | 0,16 | | | | |
| | 2,5 (0,660) | 2 (29) | 0,23 | | | | |
| 0216 | 2,0 (0,528) | 16 (232) | 0,11 | 300 | 4 / 6 | 100 ÷ 250 Vac 50 – 60 Hz | 7 / 26 |
| | 3,8 (1,008) | 10 (145) | 0,21 | | | | |
| | 5,1 (1,354) | 6 (73) | 0,29 | | | | |
| 0607 | 6,0 (1,584) | 7 (102) | 0,33 | 300 | 4 / 6 | 100 ÷ 250 Vac 50 – 60 Hz | 5 / 23 |
| | 6,3 (1,674) | 4 (58) | 0,35 | | | | |
| | 7,3 (1,930) | 2 (29) | 0,41 | | | | |
| 0420 | 4,0 (1,056) | 20 (290) | 0,22 | 300 | 4 / 6 | 100 ÷ 250 Vac 50 – 60 Hz | 10 / 32 |
| | 6,0 (1,584) | 12 (174) | 0,33 | | | | |
| | 7,3 (1,930) | 8 (116) | 0,40 | | | | |
| 0710 | 7,0 (1,859) | 10 (145) | 0,39 | 300 | 4 / 6 | 100 ÷ 250 Vac 50 – 60 Hz | 7 / 26 |
| | 8,5 (2,244) | 6 (87) | 0,47 | | | | |
| | 11,7 (3,081) | 2 (29) | 0,65 | | | | |
| 1012 | 10,0 (2,640) | 12 (174) | 0,56 | 300 | 4 / 6 | 100 ÷ 250 Vac 50 – 60 Hz | 10 / 32 |
| | 11,8 (3,113) | 6 (87) | 0,66 | | | | |
| | 14,3 (3,765) | 2 (29) | 0,79 | | | | |
| 1505 | 15,0 (3,960) | 5 (73) | 0,83 | 300 | 4 / 6 | 100 ÷ 250 Vac 50 – 60 Hz | 7 / 26 |
| | 15,4 (4,068) | 3 (44) | 0,86 | | | | |
| | 17,2 (4,541) | 1 (15) | 0,96 | | | | |
| 2007 | 20,0 (5,280) | 7 (102) | 1,11 | 300 | 6 / 8 | 100 ÷ 250 Vac 50 – 60 Hz | 10 / 35 |
| | 21,3 (5,623) | 3 (44) | 1,18 | | | | |
| | 28,2 (7,445) | 0,5 (7) | 1,57 | | | | |
| 3005 | 30,0 (7,910) | 5 (72) | 1,66 | 300 | 6 / 8 | 100 ÷ 250 Vac 50 – 60 Hz | 10 / 35 |
| | 30,8 (8,118) | 2 (44) | 1,71 | | | | |
| | 36,5 (9,636) | 0,5 (7) | 2,03 | | | | |

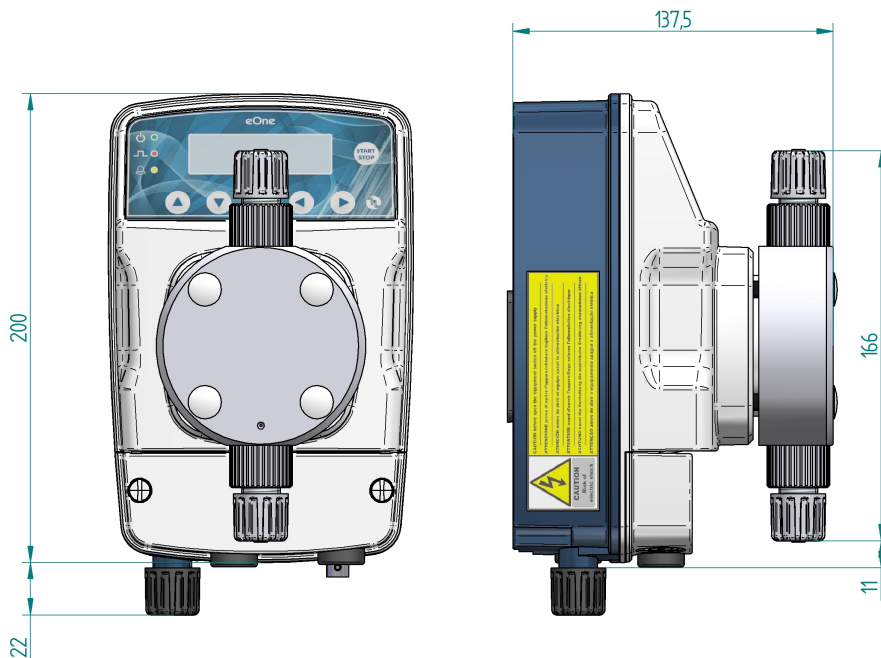


DOSING PUMP eOne series – type MF

DIMENSIONS



Models: 0110, 0216, 0420, 0607, 0710, 1012, 1505

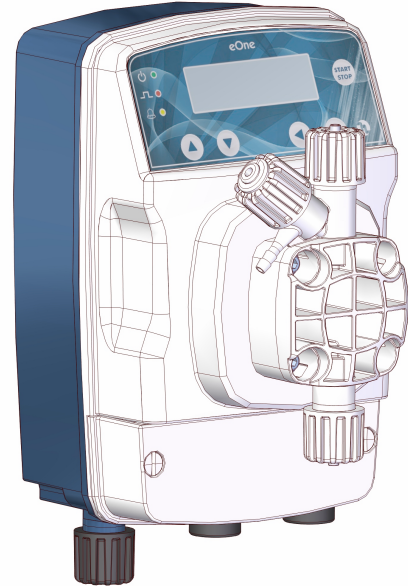


Models: 2007 and 3005

DOSING PUMP eOne series – PLUS

TECHNICAL FEATURES

- *Flow rate:* from 1 to 30 l/h
- *Maximum pressure:* up to 20 bar
- *Power supply range:* 100÷250 Vac – 50/60 Hz
- *Stroke rate:* from 180 to 300 impulses/min
- *Pump Head:* PVDF
- *Diaphragm:* PTFE
- *Air bleed:* Manual
- *External casing:* Reinforced PP and chemical resistant
- *Installation kit:* Included



The new range of Etatron DS Dosing Pumps, the eOne series, are the next generation of chemical dosing. Featuring high stroke rates, low energy consumption, accuracy, repeatability and flow rate variation control in relation to pressure changes.

The eOne PLUS is a **multifunction dosing pump with pH, Rx or Cl (ppm) and proportional control**. Each function is user-configurable. Measuring range: 0.00 – 14.00 pH; -1000 / +1400 mV Redox; 0-2 / 0-20 / 0-200 ppm; PT100 temperature probe input; ON/OFF mode or proportional mode; DIRECT or REVERSE intervention; hysteresis.

The pump can receive a variable voltage range between **100 and 250 Vac 50/60Hz** without affecting performance. The standard version has the pump head made entirely of **PVDF**, a highly resistant polymer, with seals in **TFE/P**, which is a new elastomer compatible with a wide variety of chemicals, both acidic and alkaline.

All “**eOne**” pumps are equipped with manual air bleed pump head, except for the models 2007 and 3005.

The pump is supplied with an installation kit made of PVDF-TFE/P injection valve, PVDF-TFE/P foot filter, PE discharge tube, PVC suction tube, wall mounting plate with plugs and screws.

DOSING PUMP eOne series – PLUS

CONFIGURATIONS

| MODELLO | | | | | | | | | | | | | | | | | | | | | | | | | | | | | | | | | | | | | | | | | | | | | | | | | | | | | | | | | | | | | |
|--------------|--|-----------------------|--|-----------------------|--|--|--|------------|------|------------|----------|--|--|------------|------|------------|----------|--|--|------------|------|------------|----------|--|--|------------|------|------------|---------|--|--|------------|------|------------|----------|--|--|------------|------|-------------|----------|--|--|------------|------|-------------|--------|--|--|------------|------|-------------|---------|--|--|------------|------|-------------|--------|--|--|
| PEU46 | Multifunction digital proportional dosing pump with pH, Rx, Cl (ppm) controller. Proportional functions. Daily and weekly timer. Configurable alarm relay. Level control setting. UNDERLOAD – suction alarm, OVERLOAD – discharge alarm. Flow's calibration. | | | | | | | | | | | | | | | | | | | | | | | | | | | | | | | | | | | | | | | | | | | | | | | | | | | | | | | | | | | | |
| | FEATURES | | | | | | | | | | | | | | | | | | | | | | | | | | | | | | | | | | | | | | | | | | | | | | | | | | | | | | | | | | | | |
| | <table border="1"> <thead> <tr> <th>Version</th> <th>Flow rate l/h – (US gal/h)</th> <th>Pressure Bar (PSI)</th> <th></th> <th></th> <th></th> </tr> </thead> <tbody> <tr> <td>389</td> <td>0110</td> <td>1.0 (0.26)</td> <td>10 (145)</td> <td></td> <td></td> </tr> <tr> <td>391</td> <td>0216</td> <td>2.0 (0.52)</td> <td>16 (232)</td> <td></td> <td></td> </tr> <tr> <td>392</td> <td>0420</td> <td>4.0 (1.04)</td> <td>20 (290)</td> <td></td> <td></td> </tr> <tr> <td>393</td> <td>0607</td> <td>6.0 (1.58)</td> <td>7 (101)</td> <td></td> <td></td> </tr> <tr> <td>394</td> <td>0710</td> <td>7.0 (1.86)</td> <td>10 (145)</td> <td></td> <td></td> </tr> <tr> <td>395</td> <td>1012</td> <td>10.0 (2.64)</td> <td>12 (174)</td> <td></td> <td></td> </tr> <tr> <td>396</td> <td>1505</td> <td>15.0 (3.96)</td> <td>5 (72)</td> <td></td> <td></td> </tr> <tr> <td>397</td> <td>2007</td> <td>20.0 (5.28)</td> <td>7 (101)</td> <td></td> <td></td> </tr> <tr> <td>386</td> <td>3005</td> <td>30.0 (7.91)</td> <td>5 (72)</td> <td></td> <td></td> </tr> </tbody> </table> | Version | Flow rate l/h – (US gal/h) | Pressure Bar (PSI) | | | | 389 | 0110 | 1.0 (0.26) | 10 (145) | | | 391 | 0216 | 2.0 (0.52) | 16 (232) | | | 392 | 0420 | 4.0 (1.04) | 20 (290) | | | 393 | 0607 | 6.0 (1.58) | 7 (101) | | | 394 | 0710 | 7.0 (1.86) | 10 (145) | | | 395 | 1012 | 10.0 (2.64) | 12 (174) | | | 396 | 1505 | 15.0 (3.96) | 5 (72) | | | 397 | 2007 | 20.0 (5.28) | 7 (101) | | | 386 | 3005 | 30.0 (7.91) | 5 (72) | | |
| Version | Flow rate l/h – (US gal/h) | Pressure Bar (PSI) | | | | | | | | | | | | | | | | | | | | | | | | | | | | | | | | | | | | | | | | | | | | | | | | | | | | | | | | | | | |
| 389 | 0110 | 1.0 (0.26) | 10 (145) | | | | | | | | | | | | | | | | | | | | | | | | | | | | | | | | | | | | | | | | | | | | | | | | | | | | | | | | | | |
| 391 | 0216 | 2.0 (0.52) | 16 (232) | | | | | | | | | | | | | | | | | | | | | | | | | | | | | | | | | | | | | | | | | | | | | | | | | | | | | | | | | | |
| 392 | 0420 | 4.0 (1.04) | 20 (290) | | | | | | | | | | | | | | | | | | | | | | | | | | | | | | | | | | | | | | | | | | | | | | | | | | | | | | | | | | |
| 393 | 0607 | 6.0 (1.58) | 7 (101) | | | | | | | | | | | | | | | | | | | | | | | | | | | | | | | | | | | | | | | | | | | | | | | | | | | | | | | | | | |
| 394 | 0710 | 7.0 (1.86) | 10 (145) | | | | | | | | | | | | | | | | | | | | | | | | | | | | | | | | | | | | | | | | | | | | | | | | | | | | | | | | | | |
| 395 | 1012 | 10.0 (2.64) | 12 (174) | | | | | | | | | | | | | | | | | | | | | | | | | | | | | | | | | | | | | | | | | | | | | | | | | | | | | | | | | | |
| 396 | 1505 | 15.0 (3.96) | 5 (72) | | | | | | | | | | | | | | | | | | | | | | | | | | | | | | | | | | | | | | | | | | | | | | | | | | | | | | | | | | |
| 397 | 2007 | 20.0 (5.28) | 7 (101) | | | | | | | | | | | | | | | | | | | | | | | | | | | | | | | | | | | | | | | | | | | | | | | | | | | | | | | | | | |
| 386 | 3005 | 30.0 (7.91) | 5 (72) | | | | | | | | | | | | | | | | | | | | | | | | | | | | | | | | | | | | | | | | | | | | | | | | | | | | | | | | | | |
| | OPTIONS | | | | | | | | | | | | | | | | | | | | | | | | | | | | | | | | | | | | | | | | | | | | | | | | | | | | | | | | | | | | |
| 4I | PVDF pump head and installation kit, TFE/P sealings | | | | | | | | | | | | | | | | | | | | | | | | | | | | | | | | | | | | | | | | | | | | | | | | | | | | | | | | | | | | |
| PEU46 | 394 | 4I | EONE PLUS 0710 100/250V PVDF-TFE/P pump head | | | | | | | | | | | | | | | | | | | | | | | | | | | | | | | | | | | | | | | | | | | | | | | | | | | | | | | | | | |

INSTALLATION KIT

- PVDF Injection Valve
- PVDF Foot Filter
- PE tube (2m)
- PVC CRYSTAL tube (4m)
- wall mounting plate
- 4 plugs and screws
- Instruction manual

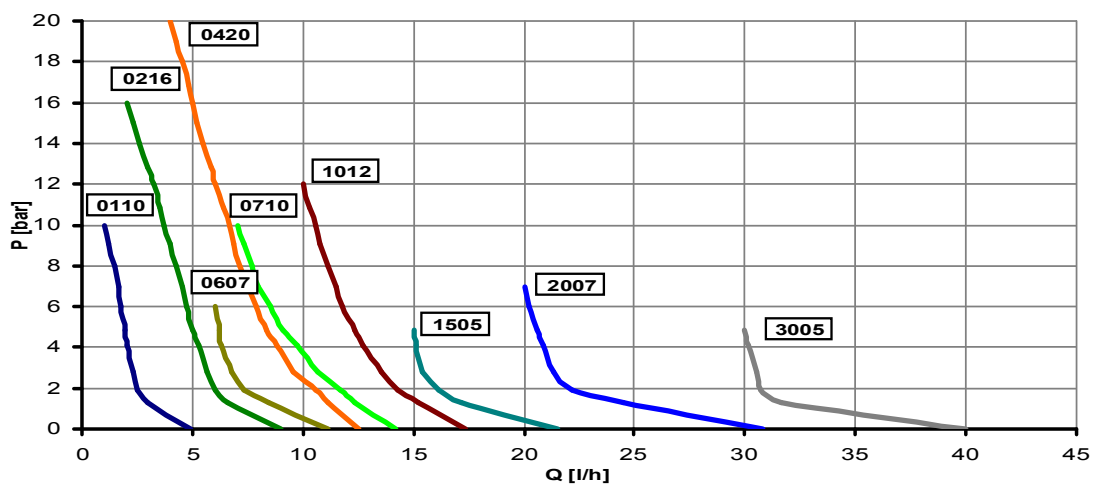
INPUTS /OUTPUTS

- 4-20mA input
- Watermeter input
- Level probe input
- Flow sensor input (reed contact)
- ph, RX (BNC), CL (PPM) probe input
- PT100 temperature probe input
- mA (4-20) output
- Alarm relay output (configurable NO-NC)

DOSING PUMP eOne series – PLUS

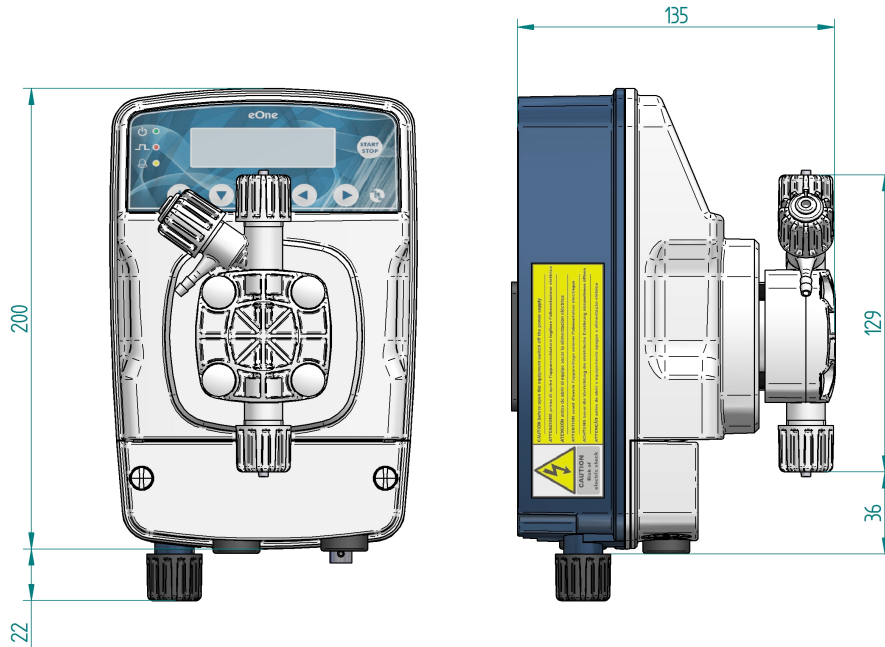
PUMP TECHNICAL DETAILS

| Model | Flow rate l/h - (US gal/h) | Pressure bar – (psi) | Injection volume [cc] | Max frequency [imp/min] | Connections [mm] | Power supply | Power Consumption Min / Max [W] |
|-------------|-------------------------------|-------------------------|-----------------------------|-------------------------------|---------------------|-----------------------------|--|
| 0110 | 1,0 (0,264) | 10 (145) | 0,09 | 180 | 4 / 6 | 100 ÷ 250 Vac 50 – 60 Hz | 5 / 23 |
| | 1,8 (0,475) | 6 (87) | 0,16 | | | | |
| | 2,5 (0,660) | 2 (29) | 0,23 | | | | |
| 0216 | 2,0 (0,528) | 16 (232) | 0,11 | 300 | 4 / 6 | 100 ÷ 250 Vac 50 – 60 Hz | 7 / 26 |
| | 3,8 (1,008) | 10 (145) | 0,21 | | | | |
| | 5,1 (1,354) | 6 (73) | 0,29 | | | | |
| 0607 | 6,0 (1,584) | 7 (102) | 0,33 | 300 | 4 / 6 | 100 ÷ 250 Vac 50 – 60 Hz | 5 / 23 |
| | 6,3 (1,674) | 4 (58) | 0,35 | | | | |
| | 7,3 (1,930) | 2 (29) | 0,41 | | | | |
| 0420 | 4,0 (1,056) | 20 (290) | 0,22 | 300 | 4 / 6 | 100 ÷ 250 Vac 50 – 60 Hz | 10 / 32 |
| | 6,0 (1,584) | 12 (174) | 0,33 | | | | |
| | 7,3 (1,930) | 8 (116) | 0,40 | | | | |
| 0710 | 7,0 (1,859) | 10 (145) | 0,39 | 300 | 4 / 6 | 100 ÷ 250 Vac 50 – 60 Hz | 7 / 26 |
| | 8,5 (2,244) | 6 (87) | 0,47 | | | | |
| | 11,7 (3,081) | 2 (29) | 0,65 | | | | |
| 1012 | 10,0 (2,640) | 12 (174) | 0,56 | 300 | 4 / 6 | 100 ÷ 250 Vac 50 – 60 Hz | 10 / 32 |
| | 11,8 (3,113) | 6 (87) | 0,66 | | | | |
| | 14,3 (3,765) | 2 (29) | 0,79 | | | | |
| 1505 | 15,0 (3,960) | 5 (73) | 0,83 | 300 | 4 / 6 | 100 ÷ 250 Vac 50 – 60 Hz | 7 / 26 |
| | 15,4 (4,068) | 3 (44) | 0,86 | | | | |
| | 17,2 (4,541) | 1 (15) | 0,96 | | | | |
| 2007 | 20,0 (5,280) | 7 (102) | 1,11 | 300 | 6 / 8 | 100 ÷ 250 Vac 50 – 60 Hz | 10 / 35 |
| | 21,3 (5,623) | 3 (44) | 1,18 | | | | |
| | 28,2 (7,445) | 0,5 (7) | 1,57 | | | | |
| 3005 | 30,0 (7,910) | 5 (72) | 1,66 | 300 | 6 / 8 | 100 ÷ 250 Vac 50 – 60 Hz | 10 / 35 |
| | 30,8 (8,118) | 2 (44) | 1,71 | | | | |
| | 36,5 (9,636) | 0,5 (7) | 2,03 | | | | |

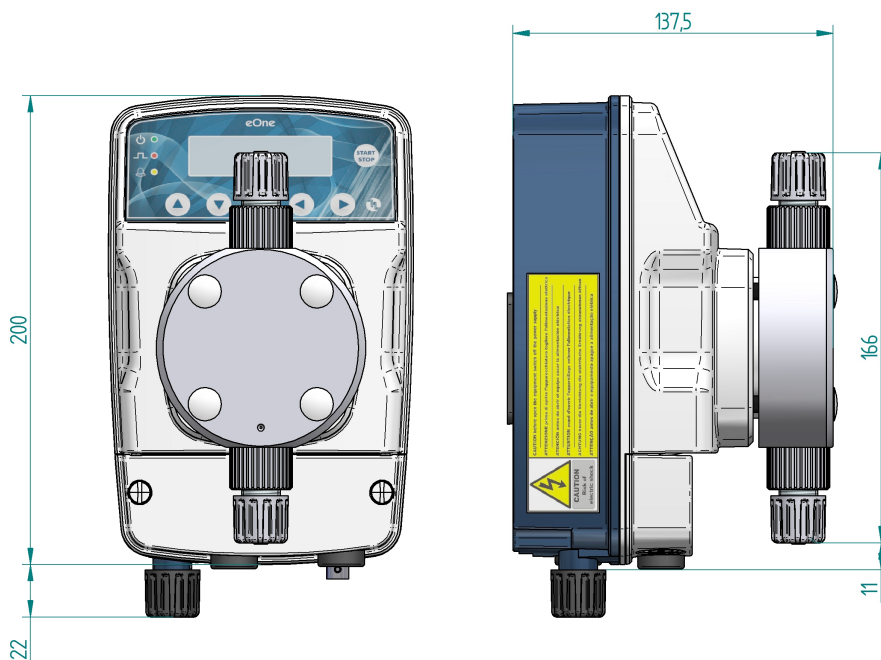


DOSING PUMP eOne series – PLUS

DIMENSIONS



Model: 0110, 0216, 0420, 0607, 0710, 1012, 1505



Model: 2007 and 3005